

Quick Start Guide

Fronius Smart Meter 50kA-3



[manuals.fronius.com/
html/4204260280](https://manuals.fronius.com/html/4204260280)



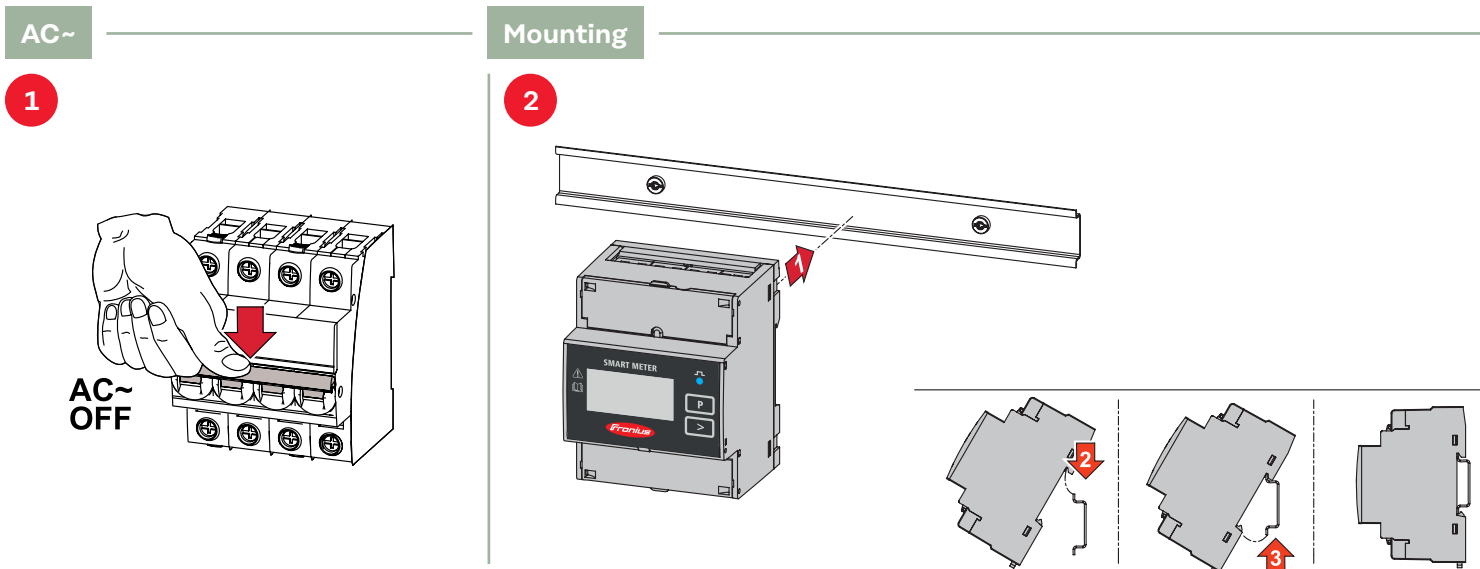
**OPERATING
INSTRUCTIONS**



Technical Data - General	
Nominal voltage (three-phase) / Operating range	400-415 V / 363-457 V
Nominal voltage (one-phase) / Operating range	230-240 V / 210-264 V
Nominal frequency / tolerance	50 - 60 Hz / 47 -63 Hz
Nominal / Maximum current	1 A + 5 A / 6 A
Powerfactor range (EN/IEC 62053-21, EN/IEC 62053-23)	aktiv $\cos\phi$ 0.5 ind to 0.8 cap reaktiv $\sin\phi$ 0.5 ind to 0.5 cap
Current transformer ratio (kCT)	1...9,999 e.g. TC 800/5A kCT = 160
Voltage transformer ratio (kVT)	1...1500.0 e.g. VT 20000/400V kVT = 50 For direct connection: kVT = 1
Maximum value kVT x kCT	5,000,000 (CT/1A) or 1,000,000 (CT/5A)
Permitted ambient temperature	from -5° to +55°C
Mounting	DIN rail 35 mm
IP range (EN60529)	IP54 / IP20 (Front / Connections)

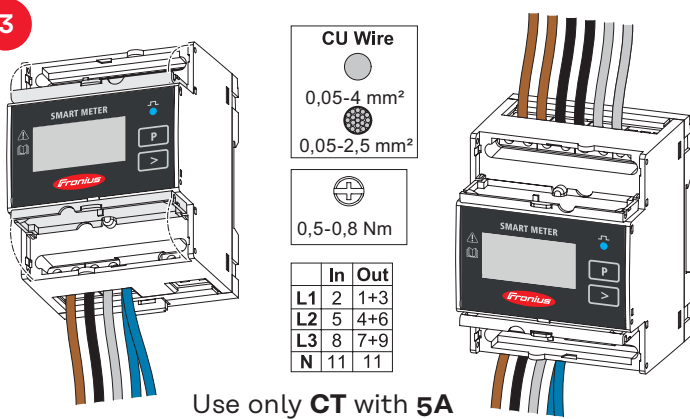
Communication	
Standard	RS485 - 3 conductors
Protocol	Modbus RTU
Min. softwareversion	Datamanager 3.7.2 / Fronius Symo Hybrid 1.3.3

Screw Terminals	
Measuring input	0,05 - 4 mm ² rigid / 0,05 - 2,5 mm ² flexible
Output (data communication / neutral line)	0,05 - 4 mm ² rigid / 0,05 - 2,5 mm ² flexible
Recommended torque	Measuring input: 0,5 Nm / max. 0,8 Nm Output: 0,5 Nm / max. 0,8 Nm



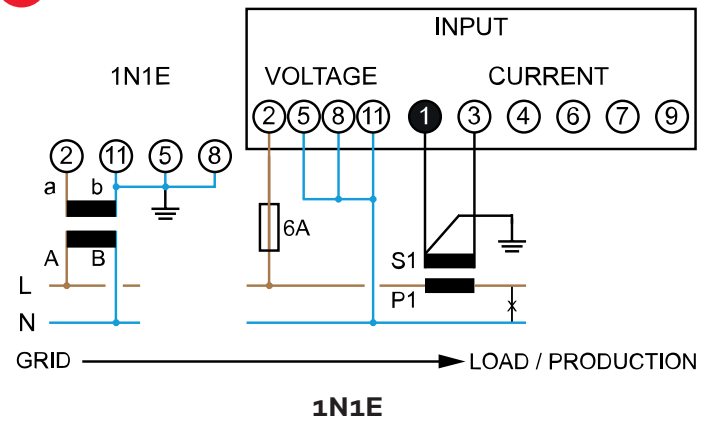
Power wiring

3

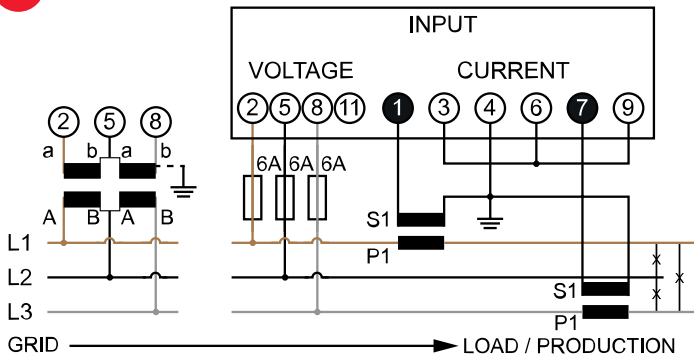


Use only **CT** with **5A**
Eg: Fronius CT A 100A/5A

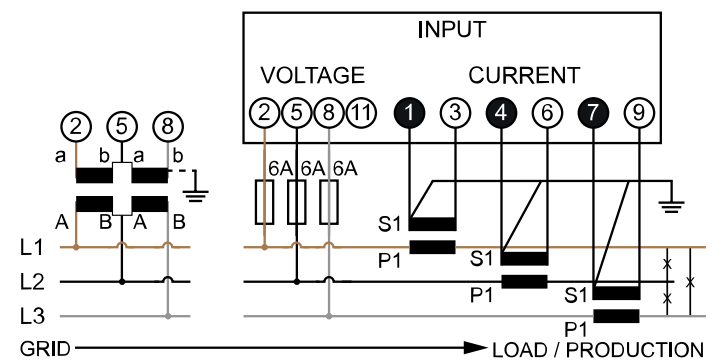
4



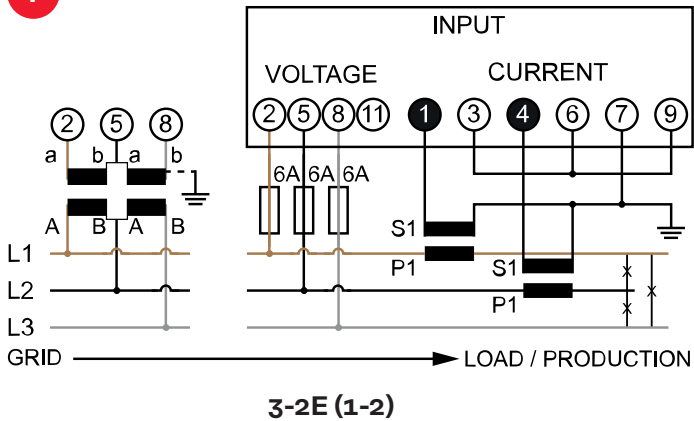
5



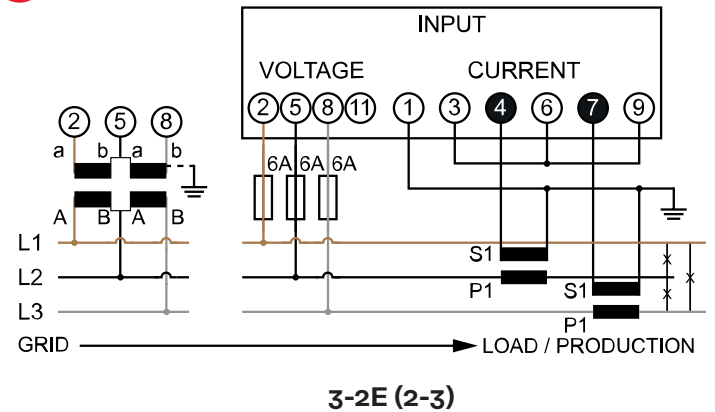
6



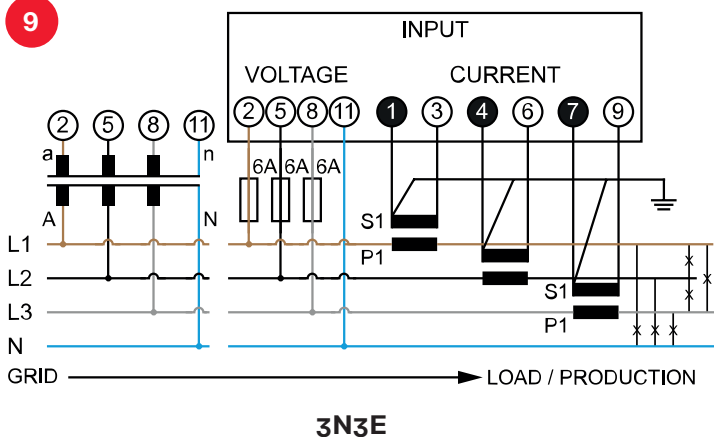
7



8

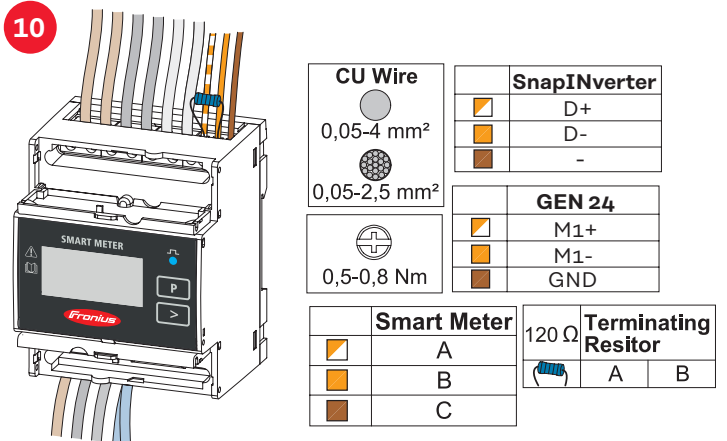


9



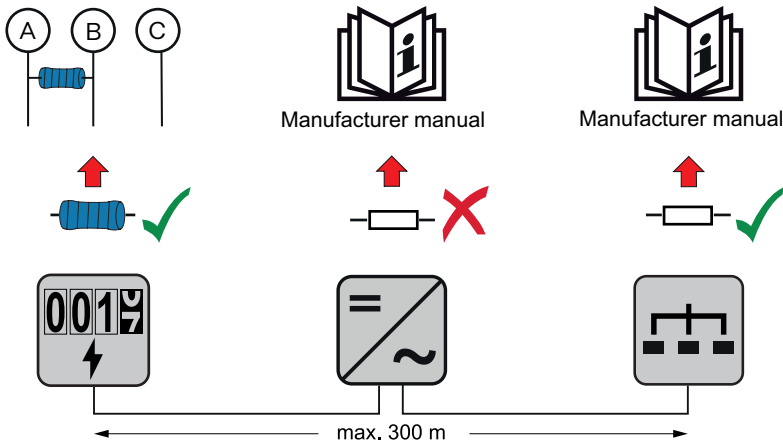
Data wiring

10



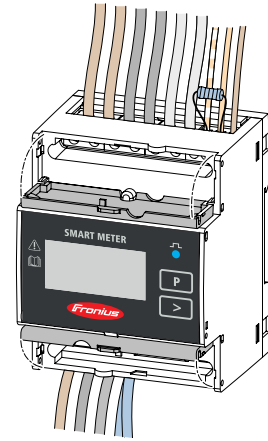
Terminating Resistor

11

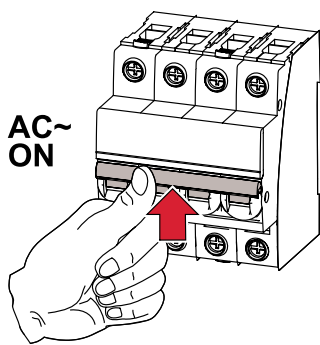


Close & Commissioning

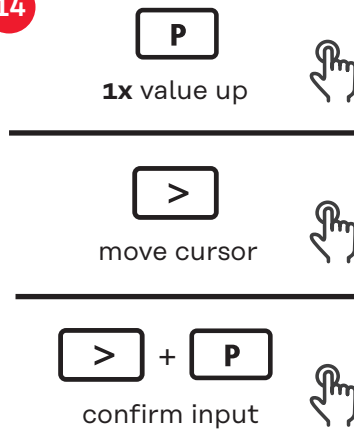
12



13

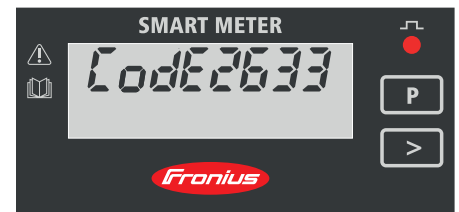


14



15

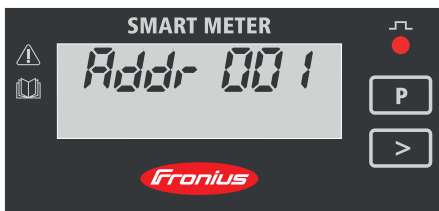
Set **P** / confirm **>** + **P** password



Factory default: 2633

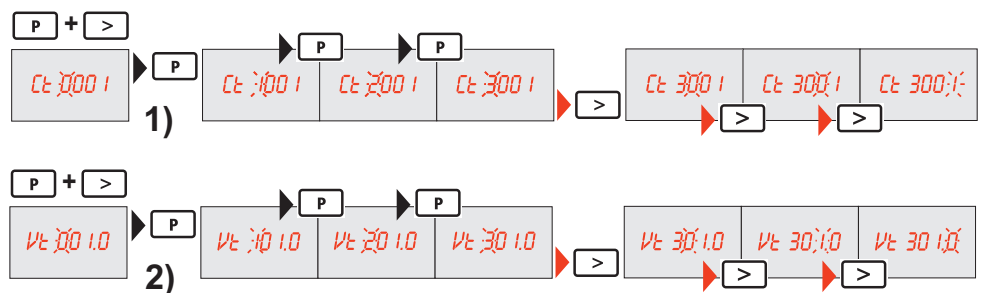
16

Set / confirm modbus address (1-14)



Factory default: 001

17



18



Fronius Solar.start

